

- ✓ 360° smooth rotation, rated to 275 bar
- ✓ Multiple booms with center rotation points
- ✓ Tension relief and hose guard protection
- ✓ Polished stainless steel (INOX)
- ✓ Clean and classic appearance

The ideal solution for self-service car washes. The unique shape of Mosmatic Z-booms allows the installation of multiple ceiling booms in one wash bay. This makes it possible to add profitable services such as foam applications and Air Drying to your existing programs.



DKZ

Part No.	L	A	B	C	D	Weight
65.909	850	2500	550	800	400	7.8 kg
65.950	1200	3550	725	1150	575	8.7 kg
65.003	1450	4300	850	1400	700	9.6 kg
65.013	1550	4600	900	1500	750	9.9 kg
65.023	1650	4900	950	1600	800	10.2 kg
65.033	1750	5200	1000	1700	850	10.5 kg

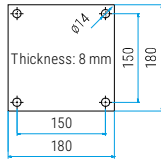
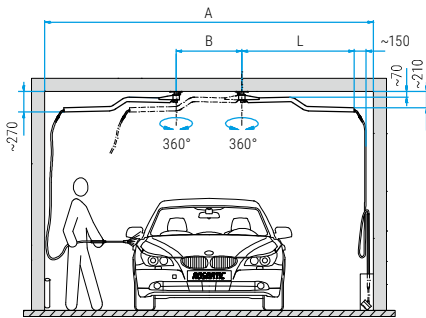
Part No. includes one ceiling boom.



DKZF (with flex-arm)

Part No.	L	A	B	C	D	Weight
65.005	1450	4300	850	1400	700	10.2 kg
65.015	1550	4600	900	1500	750	10.4 kg
65.025	1650	4900	950	1600	800	10.5 kg
65.035	1750	5200	1000	1700	850	11.4 kg

Part No. includes one ceiling boom.



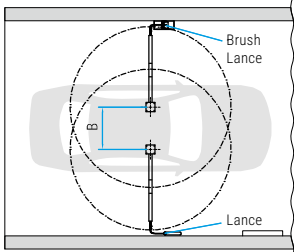
Bearable load for each bore at least 30'000 N (for example M12 bolt)

TECHNICAL DATA

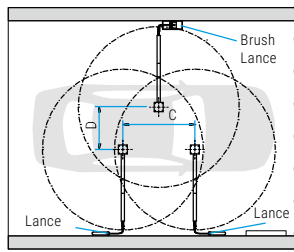
Pressure	275 bar (27.5 MPa)
Temperature	120°C
Inlet (top & side)	G1/4" F (other options available)
Outlet	G1/4" M (other options available)
Throughput medium	water, oil, air at pH 3-12

 environmentally friendly products

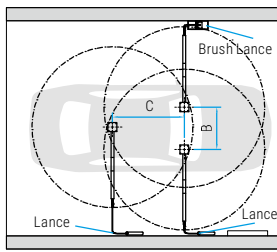
Dual Set-up



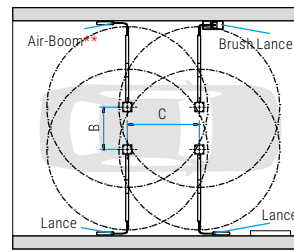
Triple Set-up*



Triple Set-up



Quadruple Set-up



* not suitable for mounting bracket 65.903

** in combination with air boom DKZ booms must be extended with part no. 902.753.

Legend

M.. = metric thrust, ..M = male, F = female, G = gas pipe thrust, R = gas pipe thrust conical, QV = quick connects, SV = profile ring fitting
D = diameter, L = length, NW = nominal width, SW = wrench size, IN = media input, OUT = media output, RS = basic position