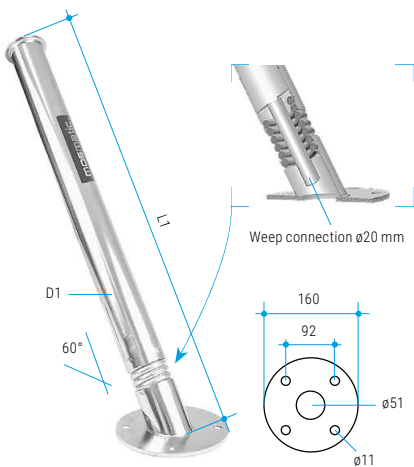


- ✓ High-quality workmanship
- ✓ Polished stainless steel
- ✓ Solid construction

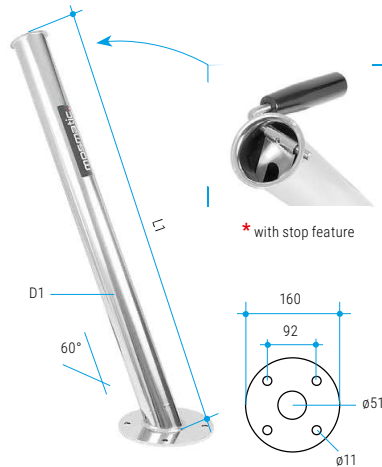
Only Mosmatic offers you such an extensive variety of lance holders. Solid construction and high quality materials enhance their function and appearance that increases the value of your wash bay.



### Lance holder

spring model, floor mounted, with weep connection

Part No.	L1	D1	Weight
29.097	705	60	3.1 kg
29.121	855	60	3.8 kg

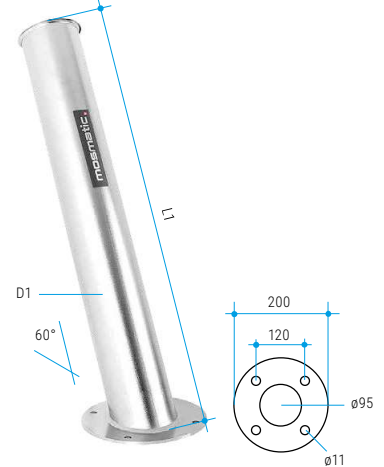


### Lance holder

with weep connection ø20, floor mounted

Part No.	L1	D1	Weight
29.028*	740	60	2.7 kg
29.113	740	60	2.3 kg

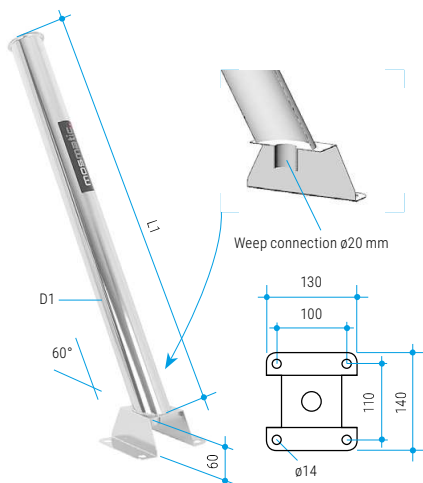
29.975 Stop feature replacement set



### Lance holder

with weep connection ø20, floor mounted

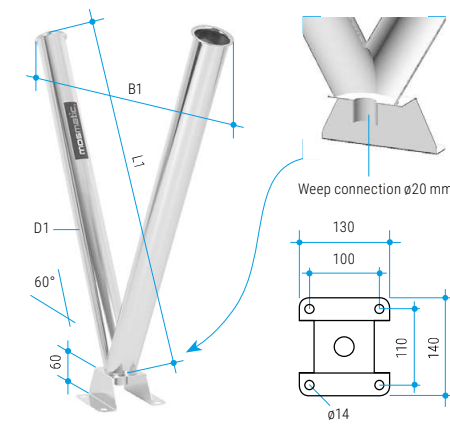
Part No.	L1	D1	Weight
29.127	720	100	3.6 kg



### Lance holder

with weep connection, floor mounted

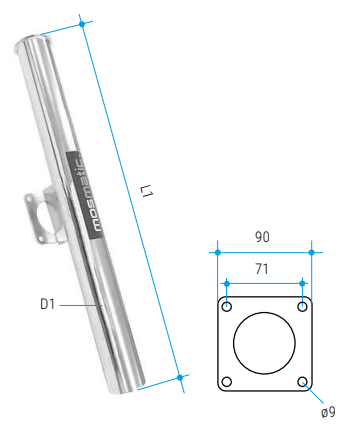
Part No.	L1	D1	Weight
29.115	740	60	2.0 kg



### Dual lance holder

with weep connection, floor mounted

Part No.	L1	B1	D1	Weight
29.124	740	800	60	4.0 kg



### Lance holder

wall mounted

Part No.	L1	D1	Weight
29.083	590	60	1.7 kg
29.128	200	60	0.9 kg
29.143	720	100	3.3 kg

#### Legend

M.. = metric thrust, ..M = male, F = female, G = gas pipe thrust, R = gas pipe thrust conical, QV = quick connects, SV = profile ring fitting  
 D = diameter, L = length, NW = nominal width, SW = wrench size, IN = media input, OUT = media output, RS = basic position