

UNDERCARRIAGE CLEANER STATIONARY

- ✓ Compact and solid construction
- ✓ Equipped with stabilizer nozzles
- ✓ Modular design

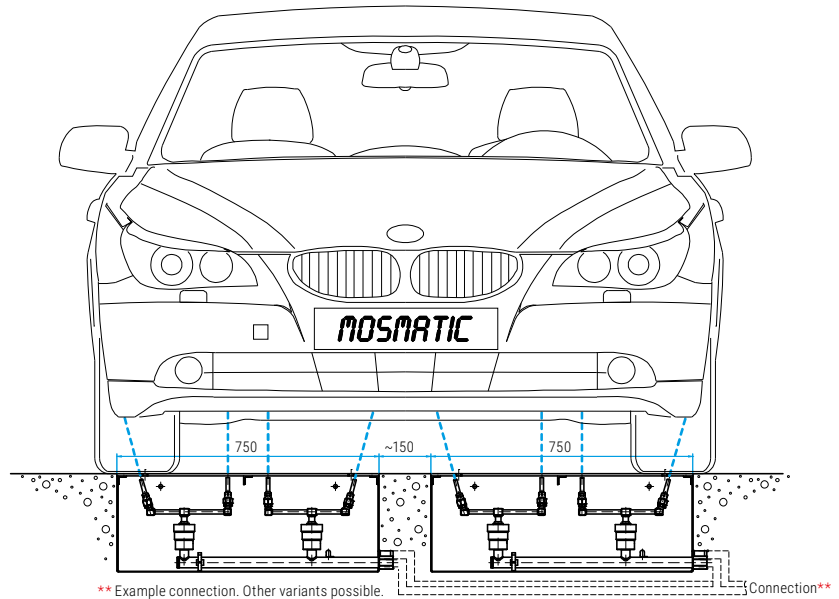
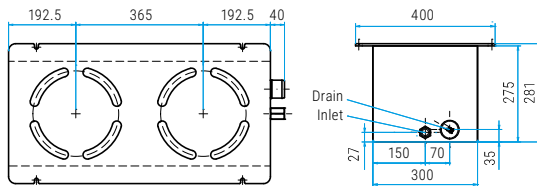
The TUW stationary is perfect for fixed ramp over or sub-floor undercarriage wash systems. Industrial grade stainless plates and boxes come complete with quad bearing swivels and welded balanced rotor arms. The high lift wash design removes heavy debris and cleans without damage to the vehicles undercarriage. Whether a new install or system upgrade this is sure to impress.



TUWs

Part No.	Dimensions (L/W/H)	Weight	Swivels	Rotor arms	Stabilizer Nozzles	Nozzles
80.630	750x300x275	32 kg	2x DYT	200x250 mm	4x 14.901	--- *

* Requires 4x EG-nozzles, according to your pump specifications



Action diameter

Distance from ground	Cleaning surface
100 mm	ø 330 mm
200 mm	ø 400 mm
300 mm	ø 460 mm



Stabilizer Nozzle

(without insert nozzle)

Part No.	IN
14.901	1/4" NPTM
14.902	1/8" NPTM

TECHNICAL DATA

Pressure	275 bar (27.5 MPa)
Temperature	120°C
RPM	up to 2000 rpm
Body	750x300x275 mm
Water connection	G3/4" F
Water drain	2"
Throughput medium	pH 3-12

Legend

M., = metric thrust, ..M = male, F = female, G = gas pipe thrust, R = gas pipe thrust conical, QV = quick connects, SV = profile ring fitting
D = diameter, L = length, NW = nominal width, SW = wrench size, IN = media input, OUT = media output, RS = basic position