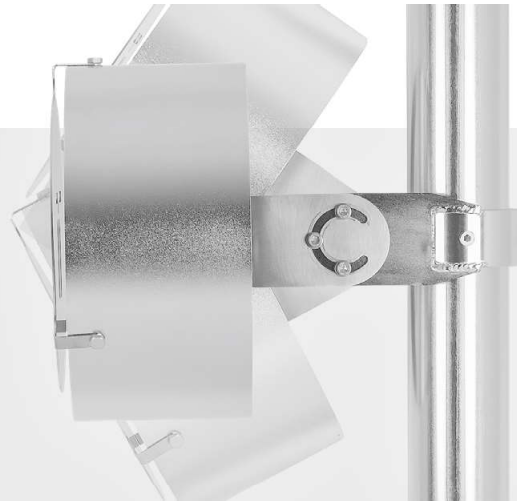


- ✓ Polished stainless steel (INOX)
- ✓ Equipped with stabilizer nozzles
- ✓ Seamless height and angle adjustable
- ✓ Multiple cleaning heads can be installed
- ✓ High impact at distance

The Mosmatic Wheelblaster Pro is the new standard for vehicle wash systems. The wash head is movable and the desired cleaning angle and height can be selected according to the application. The unit comes equipped with 4 stabilizer nozzles. These four 0° stabilizer nozzles increase distance and impact to achieve optimal cleaning. It is possible to cover a larger cleaning area by mounting various cleaning heads on the 1 meter high stand. (The four 0° tips inserts are sold separately)



WBP with Stand

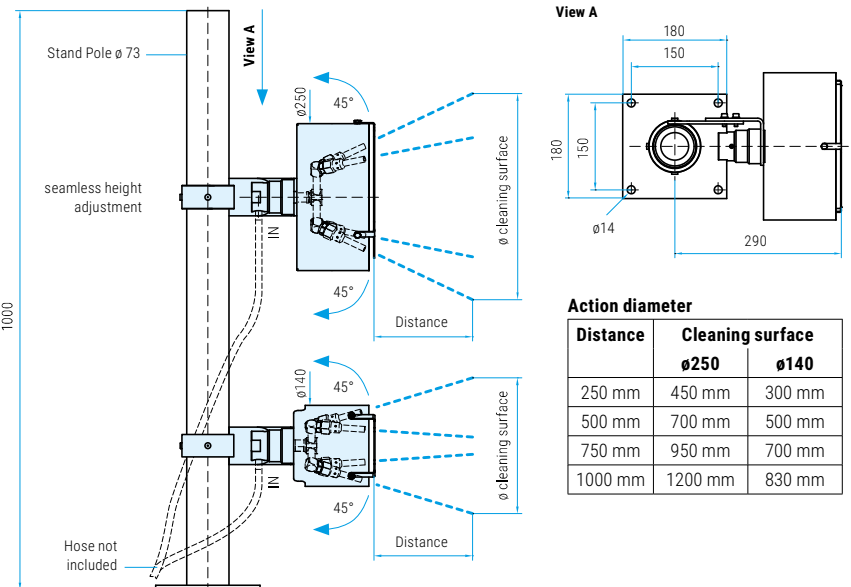
Part No.	Swivel	IN	Diameter	Rotor arm	Stabilizer Nozzles	Insert Nozzle	Weight
84.541	DYTI	G3/8°F	ø250 mm	160/160 mm	4x 14.901	---*	12.2 kg

* Requires 4x EG-nozzles, according to your pump specifications

WBP without Stand

Part No.	Swivel	IN	Diameter	Rotor arm	Stabilizer Nozzles	Insert Nozzle	Weight
84.581	DYTI	G3/8°F	ø140 mm	100/100 mm	4x 14.902	---*	4.2 kg
84.582	DYTI	G1/2°F	ø140 mm	100/100 mm	4x 14.902	---*	4.2 kg
84.583	DYTI	G3/4°F	ø140 mm	100/100 mm	4x 14.902	---*	4.3 kg
84.584	DYF	G3/8°F	ø140 mm	100 mm	2x 14.902	---**	3.4 kg
84.591	DYTI	G3/8°F	ø250 mm	160/160 mm	4x 14.901	---*	5.1 kg
84.592	DYTI	G1/2°F	ø250 mm	160/160 mm	4x 14.901	---*	5.1 kg
84.593	DYTI	G3/4°F	ø250 mm	160/160 mm	4x 14.901	---*	5.2 kg
84.594	DYF	G3/8°F	ø250 mm	160 mm	2x 14.901	---**	5.0 kg

* Requires 4x EG-nozzles, ** Requires 2x EG-nozzles, according to your pump specifications



Extension

Part No.	Length	Weight
84.907	1000 mm	6.0 kg

Stand Pole

Part No.	Length	Weight
903.986	1000 mm	7.2 kg

TECHNICAL DATA

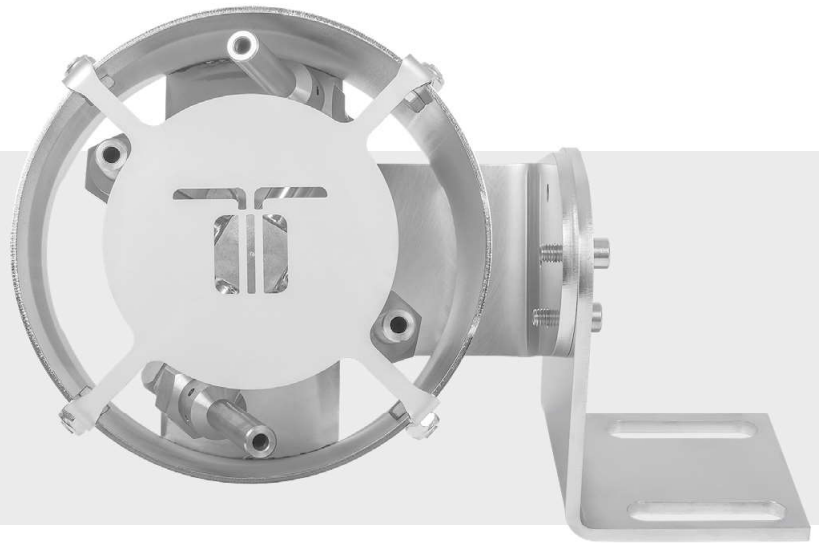
Pressure	275 bar (27.5 MPa)
Temperature	120°C
RPM	up to 2000 rpm
Throughput medium	pH 3-12

Legend

M.. = metric thrust, ..M = male, F = female, G = gas pipe thrust, R = gas pipe thrust conical, QV = quick connects, SV = profile ring fitting
 D = diameter, L = length, NW = nominal width, SW = wrench size, IN = media input, OUT = media output, RS = basic position

- ✓ Equipped with stabilizer nozzles
- ✓ Assembly on both sides possible
- ✓ Flexible installation options
- ✓ Adjustable spray direction
- ✓ Polished stainless steel (INOX)

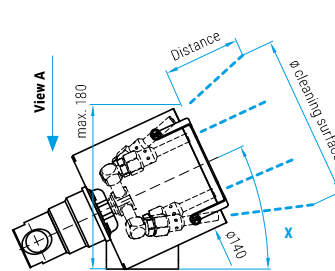
Due to the compact design, this wheelblaster is ideal for installs where there is only limited space. The unit comes equipped with four stabilizer nozzles. These stabilizer nozzles increase distance and impact and the spray direction is adjustable to achieve optimal cleaning. Choose the correct EG nozzle to match your pump.



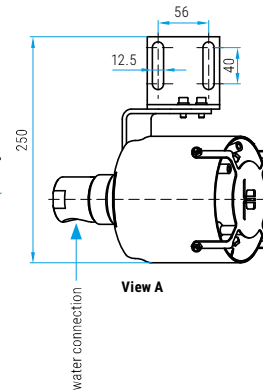
WBC

Part No.	Swivel	IN	Rotor arm	Stabilizer Nozzles	Insert Nozzle	Weight
84.602	DYTIs	G3/8"F	100/100 mm	4x 14.902	---*	4.1 kg
84.603	DYTIs	G1/2"F	100/100 mm	4x 14.902	---*	4.1 kg
84.604	DYTIs	G3/4"F	100/100 mm	4x 14.902	---*	4.2 kg

* Requires 4x EG-nozzles, according to your pump specifications



X = 0-25° at floor/wall mounting
0-90° for base mounting



Action diameter

Distance	Cleaning surface
250 mm	300 mm
500 mm	500 mm
750 mm	700 mm
1000 mm	830 mm



Stabilizer Nozzle

(without insert nozzle)

Part No.	IN
14.902	1/8" NPTM

TECHNICAL DATA

Pressure	275 bar (27.5 MPa)
Temperature	120°C
RPM	up to 2000 rpm
Throughput medium	pH 3-12

Legend

M., = metric thrust, ..M = male, F = female, G = gas pipe thrust, R = gas pipe thrust conical, QV = quick connects, SV = profile ring fitting
D = diameter, L = length, NW = nominal width, SW = wrench size, IN = media input, OUT = media output, RS = basic position

- ✓ Polished stainless steel (INOX)
- ✓ With mounting plate
- ✓ 4 nozzles inlets
- ✓ High quality swivel



Mosmatic Wheelblasters are a versatile and highly effective cleaning solution for almost any style vehicle or equipment cleaning. The rotation speed is determined by the water and pressure which drives the rotor arm. These products are mainly found in automatic car wash facilities in the area of tire/rim and rocker panel cleaning. It is an efficient and reliable touch free method of achieving optimal cleaning results.



WBL ø520mm

Part No.	Swivel	Rotor Arm	Weight
84.502	DYF	400/250 mm	7.2 kg
84.512	DYF	470/350 mm	7.3 kg
84.507	DYT	400/250 mm	8.4 kg
84.517	DYT	470/350 mm	8.5 kg

Requires 4x HP nozzles, please order separate

DYF: triple-bearing system, DYT: quadruple bearing system

TECHNICAL DATA

Pressure	275 bar (27.5 MPa)
Temperature	120°C
RPM	up to 2000 rpm
Water connection	G3/8" F
Nozzle connection	4x 1/8" NPTF
Throughput medium	pH 3-12

Legend

M.. = metric thrust, ..M = male, F = female, G = gas pipe thrust, R = gas pipe thrust conical, QV = quick connects, SV = profile ring fitting
D = diameter, L = length, NW = nominal width, SW = wrench size, IN = media input, OUT = media output, RS = basic position